

## Clifton Park, Round Lake, Malta, Saratoga State Park, Congress Park

1	2	3	4	5	6	7	8	9	10	11
Exit 9 Park & Ride / The Crossings	Clifton Country Road	Fire Road Park & Ride	Kinns Rd & Pierce Rd.	Route 9 & Ushers Rd.	Village of Round Lake	Malta Gardens	Malta Mobile Acres	Route 9 & Hearn Rd	Avenue of The Pines & Route 9	Congress Park

### MONDAY - FRIDAY

630a	638a	645a	648a	653a	658a	704a	709a	714a	721a	728a
745a	753a	800a	803a	808a	813a	819a	824a	829a	836a	843a
900a	908a	915a	918a	923a	928a	934a	939a	944a	951a	958a
1015a	1023a	1030a	1033a	1038a	1043a	1049a	1054a	1059a	1106a	1113a
1130a	1138a	1145a	1148a	1153a	1158a	1204p	1209p	1214p	1221p	1228p
1245p	1253p	100p	103p	108p	113p	119p	124p	129p	136p	143p
200p	208p	215p	218p	223p	228p	234p	239p	244p	251p	258p
315p	323p	330p	333p	338p	343p	349p	354p	359p	406p	413p
430p	438p	445p	448p	453p	458p	504p	509p	514p	521p	528p
545p	553p	600p	603p	608p	613p	619p	624p	629p	636p	643p
700p	708p	715p	718p	723p	728p	734p	739p	744p	751p	758p

## Congress Park, Saratoga State Park, Malta, Round Lake, Clifton Park

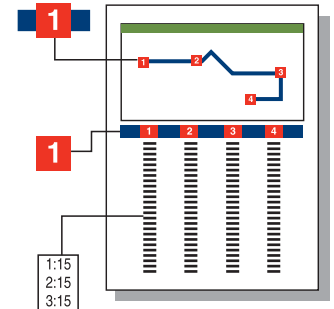
11	10	8	7	6	5	4	3	2	1
Congress Park	Avenue of The Pines & Route 9	Malta Mobile Acres	Malta Gardens	Village of Round Lake	Route 9 & Ushers Rd.	Kinns Rd & Pierce Rd.	Fire Road Park & Ride	Clifton Country Road	Exit 9 Park & Ride / The Crossings

### MONDAY - FRIDAY

630a	637a	648a	653a	656a	702a	707a	712a	717a	725a
745a	752a	803a	808a	811a	817a	822a	827a	832a	840a
900a	907a	918a	923a	926a	932a	937a	942a	947a	955a
1015a	1022a	1033a	1038a	1041a	1047a	1052a	1057a	1102a	1110a
1130a	1137a	1148a	1153a	1156a	1202p	1207p	1212p	1217p	1225p
1245p	1252p	103p	108p	111p	117p	122p	127p	132p	140p
200p	207p	218p	223p	226p	232p	237p	242p	247p	255p
315p	322p	333p	338p	341p	347p	352p	357p	402p	410p
430p	437p	448p	453p	456p	502p	507p	512p	517p	525p
545p	552p	603p	608p	611p	617p	622p	627p	632p	640p
700p	707p	718p	723p	726p	732p	737p	742p	747p	755p
815p	822p	833p	838p	841p	847p	852p	857p	902p	910p

## INSTRUCTIONS

The bus stops here at listed times. Look for the matching symbol below the map.



The bus stops at each of the times listed below the symbol.

The timetable shows **WHEN** the bus stops.

Times are approximate and depend upon traffic and weather conditions. Arrive at the bus stop 2-3 minutes early to avoid missing the bus.

## FARE INFORMATION

**Fares** (U.S. coins and \$1-dollar bills are accepted; fare boxes do not make change)

Base Fare*	\$1.50
Senior/Disabled Fare**	75¢
Day Card	\$4.00
Swiper	\$55 (5-day) and \$65 (7-day)
Half Fare Swiper	\$27.50 (5-day) and \$32.50 (7-day)
Star Service	\$2.50

\***Children 46"** and under ride free when accompanied by a fare paying adult. The limit is three children per adult.

\*\***Senior Citizens and customers with disabilities** with valid I.D. or Medicare card pay half fare all the time. If you are 65 or older or have a disability, you may qualify for a CDTA reduced fare card. Cards are issued by your local Department for Aging.

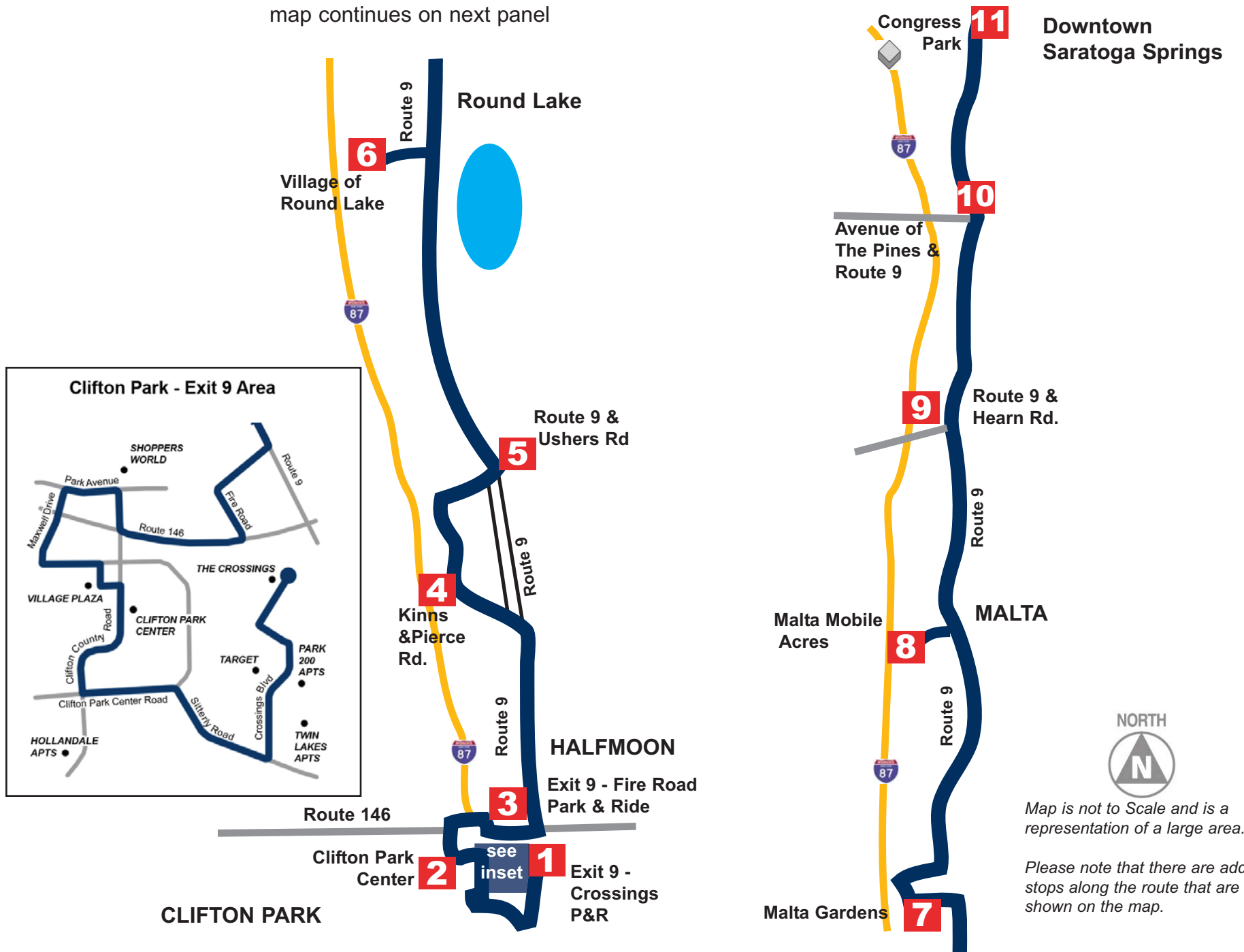
map continues on next panel

# Clifton Park, Malta, Saratoga Springs Shuttle via Route 9

EFFECTIVE SEPT 5, 2010



## Schedule



Map is not to Scale and is a representation of a large area.

Please note that there are additional stops along the route that are not shown on the map.

